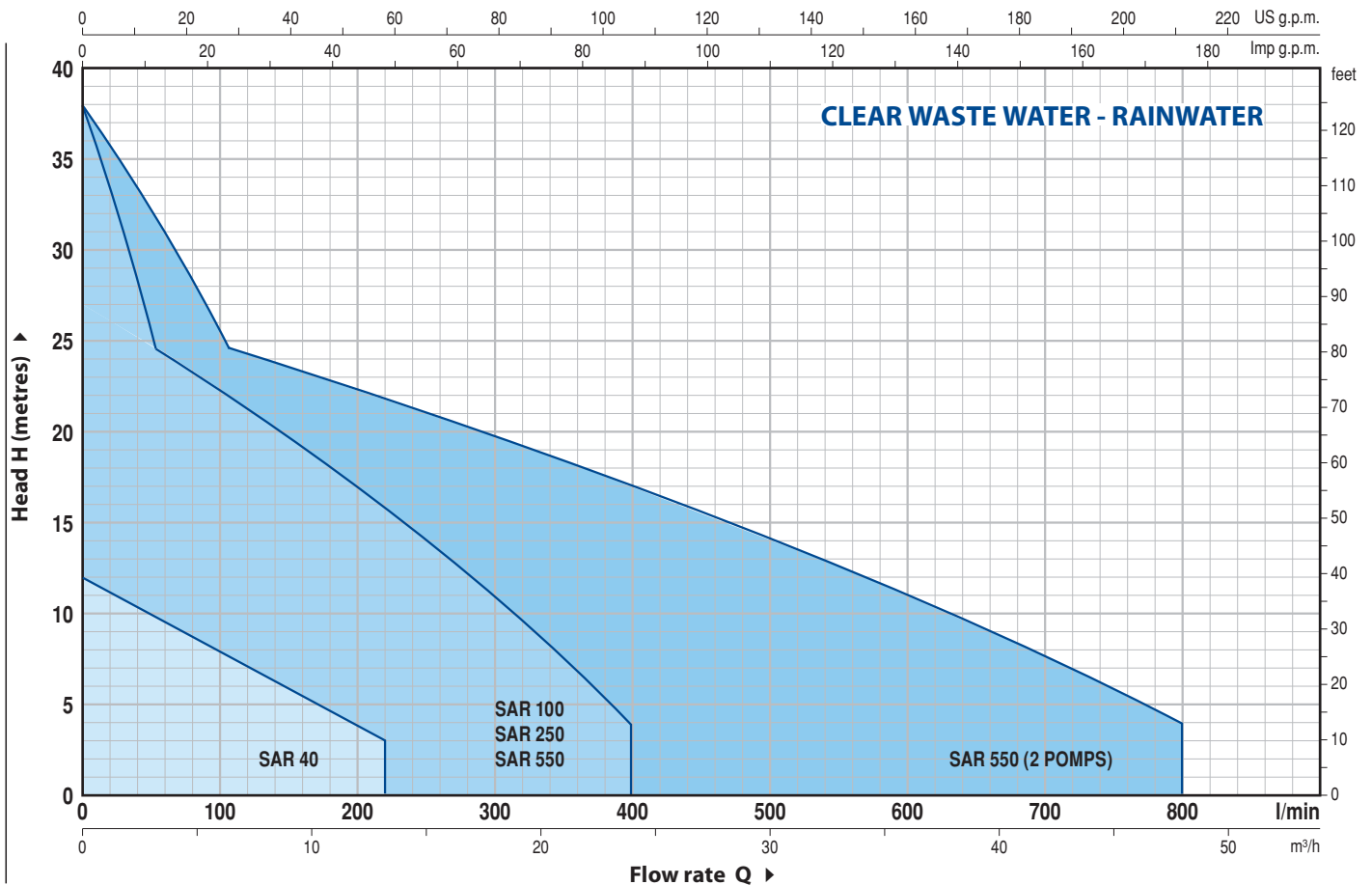
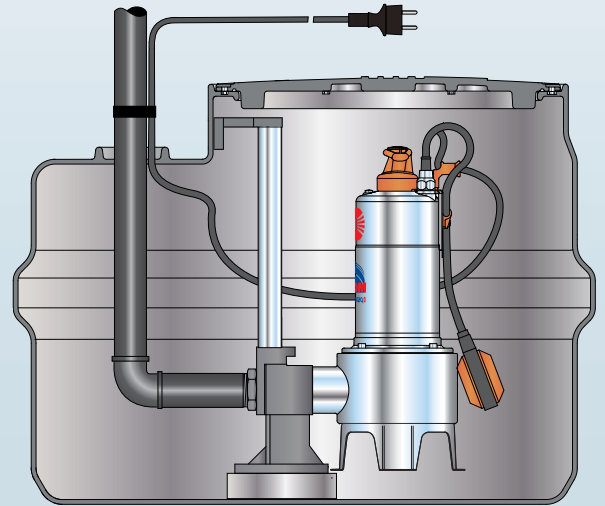
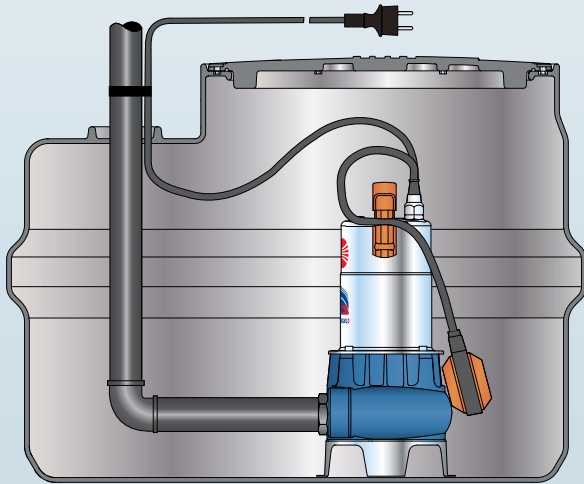


PERFORMANCE RANGE

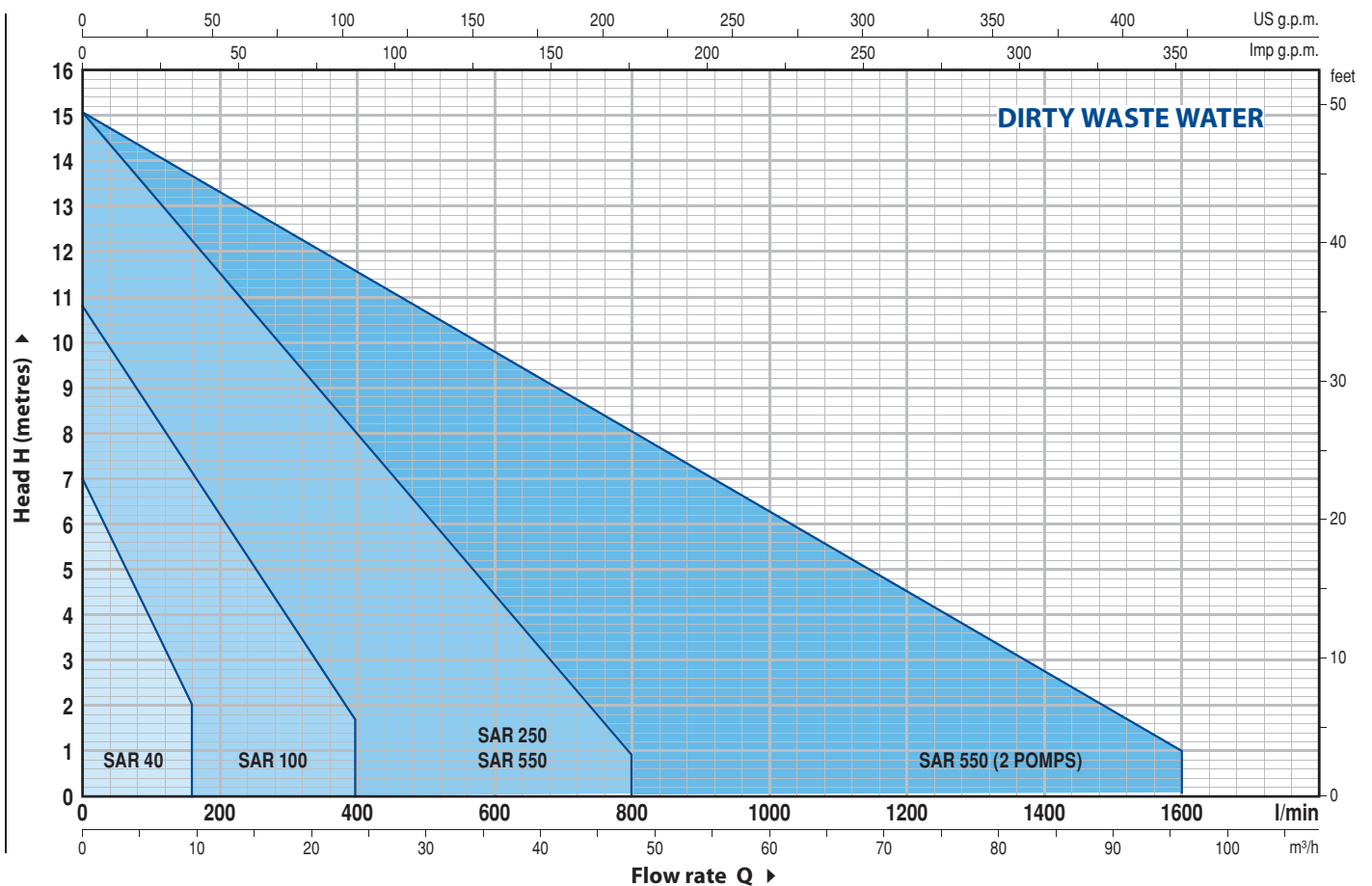
50 Hz n= 2900 1/min



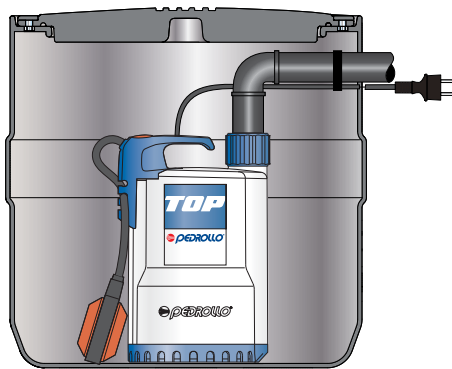


PERFORMANCE RANGE

50 Hz n= 2900 1/min



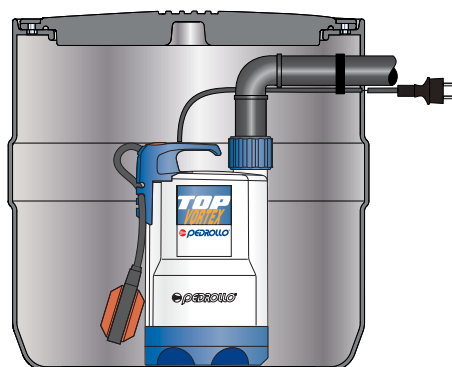
CLEAR WASTE WATER - RAINWATER



MODEL	POWER		TANK CAPACITY litres	MAXIMUM FLOW RATE l/min	MAXIMUM HEAD metres
	kW	HP			
SAR 40 - TOP1	0.25	0.33	40	160	6
SAR 40 - TOP2	0.37	0.50	40	220	8
SAR 40 - RXm1	0.25	0.33	40	160	6.5
SAR 40 - RXm2	0.37	0.50	40	220	9.5
SAR 40 - RXm3	0.55	0.75	40	220	11.5

COMPONENTS

- 40-litre polyethylene tank with cover plate
- Pump with float switch
- Power cable: **5 metres** standard issue with Schuko plug
- Non-return valve



DIRTY WASTE WATER

MODEL	POWER		TANK CAPACITY litres	MAXIMUM FLOW RATE l/min	MAXIMUM HEAD metres
	kW	HP			
SAR 40 - TOP VORTEX	0.37	0.50	40	180	6.5
SAR 40 - RXm2/20	0.37	0.50	40	180	6.5

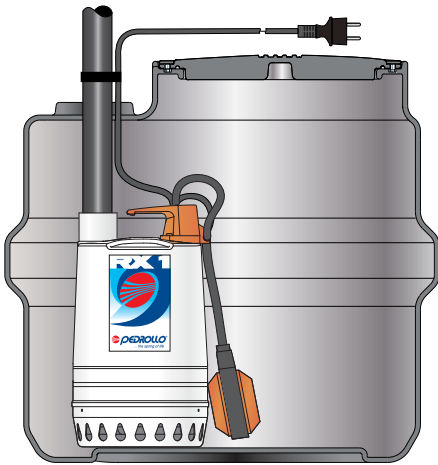
COMPONENTS

- 40-litre polyethylene tank with cover plate
- Pump with float switch
- Power cable: **5 metres** standard issue with Schuko plug
- Non-return valve

OPTIONALS AVAILABLE ON REQUEST

- Pump with 10 m long power cable.
 - ➔ Standard EN 60335-2-41 states that the power cable must be 10 m long for outdoor applications

CLEAR WASTE WATER - RAINWATER



MODEL	POWER		TANK CAPACITY litres	MAXIMUM FLOW RATE l/min	MAXIMUM HEAD metres
	kW	HP			
SAR 100 - TOP1	0.25	0.33	100	160	6
SAR 100 - TOP2	0.37	0.50	100	220	8
SAR 100 - TOP3	0.55	0.75	100	260	10
SAR 100 - TOP4	0.75	1	100	320	12
SAR 100 - TOP MULTI 2	0.55	0.75	100	80	40
SAR 100 - TOP MULTI 3	0.55	0.75	100	120	32
SAR 100 - RXm1	0.25	0.33	100	160	6.5
SAR 100 - RXm2	0.37	0.50	100	220	9.5
SAR 100 - RXm3	0.55	0.75	100	220	11.5
SAR 100 - ZDm1A-E	0.50	0.70	100	250	10.5
SAR 100 - ZDm1AR-E	0.60	0.85	100	300	13.5
SAR 100 - Dm8	0.55	0.75	100	275	11.5
SAR 100 - Dm10	0.75	1	100	325	14.5
SAR 100 - Dm15	1.1	1.5	100	400	22
SAR 100 - Dm18	0.55	0.75	100	200	16.5
SAR 100 - Dm20	0.75	1	100	200	20
SAR 100 - Dm30	1.1	1.5	100	300	26

COMPONENTS

- 100-litre polyethylene tank with cover plate
- Pump with float switch
- Power cable: **5 m** (standard issue with Schuko plug)
10 m (TOP4, TOP MULTI with Schuko plug)

DIRTY WASTE WATER



MODEL	POWER		TANK CAPACITY litres	MAXIMUM FLOW RATE l/min	MAXIMUM HEAD metres
	kW	HP			
SAR 100 - TOP VORTEX	0.37	0.50	100	180	6.5
SAR 100 - RXm2/20	0.37	0.50	100	180	6.5
SAR 100 - RXm3/20	0.55	0.75	100	180	8
SAR 100 - ZXm1A/40	0.60	0.85	100	400	10.5

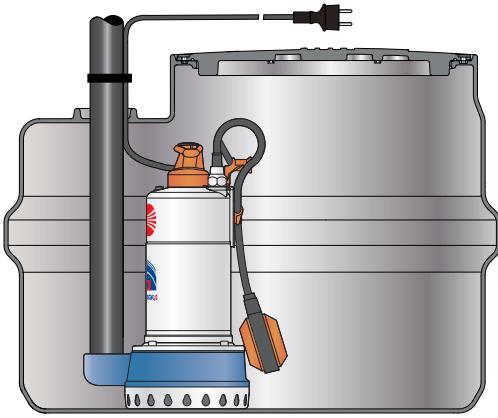
COMPONENTS

- 100-litre polyethylene tank with cover plate
- Pump with float switch
- Power cable: **5 m** (standard issue with Schuko plug)

OPTIONALS AVAILABLE ON REQUEST

- Pump with **10 m** long power cable.
 - ➡ Standard EN 60335-2-41 states that the power cable must be 10 m long for outdoor applications

CLEAR WASTE WATER - RAINWATER



MODEL	POWER		TANK CAPACITY litres	MAXIMUM FLOW RATE l/min	MAXIMUM HEAD metres
	kW	HP			
SAR 250 - NKm2/1-GE	0.45	0.6	250	80	35
SAR 250 - TOP MULTI 2	0.55	0.75	250	80	40
SAR 250 - TOP MULTI 3	0.55	0.75	250	120	32
SAR 250 - TOP3	0.55	0.75	250	260	10
SAR 250 - TOP4	0.75	1	250	320	12
SAR 250 - TOP5	0.92	1.25	250	400	14
SAR 250 - RXm2	0.37	0.50	250	220	9.5
SAR 250 - RXm3	0.55	0.75	250	220	11.5
SAR 250 - RXm4	0.75	1	250	260	15
SAR 250 - RXm5	1.1	1.5	250	300	19.5
SAR 250 - ZDm1A-E	0.50	0.70	250	250	10.5
SAR 250 - ZDm1AR-E	0.60	0.85	250	300	13.5
SAR 250 - Dm10	0.75	1	250	325	14.5
SAR 250 - Dm15	1.1	1.5	250	400	22
SAR 250 - Dm20	0.75	1	250	200	20
SAR 250 - Dm30	1.1	1.5	250	300	26

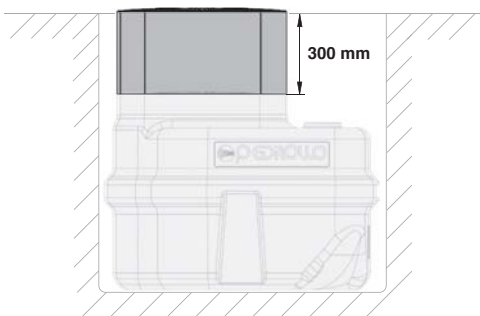
COMPONENTS

- 250-litre polyethylene tank with cover plate
- Pump with float switch
- Power cable: **5 m** (standard issue with Schuko plug)
10 m (TOP MULTI, TOP4-5, RXm4-5 with Schuko plug)
20 m (NKm2/1-GE without Schuko plug)

OPTIONALS AVAILABLE ON REQUEST

- Pump with **10 m** long power cable.
 - ➔ Standard EN 60335-2-41 states that the power cable must be 10 m long for outdoor applications

Extension kit



OPTIONALS AVAILABLE ON REQUEST

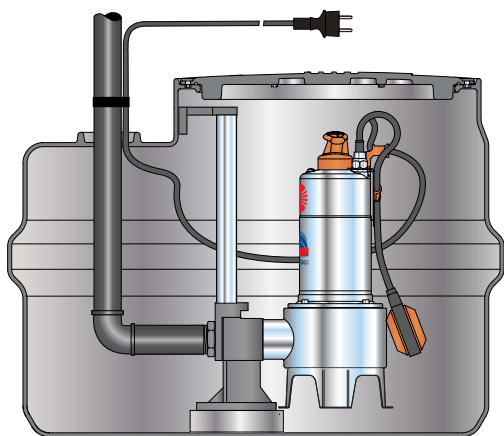
"TYPE A" 300 mm extension KIT

The kit consists of an extension for the installation of the tank at greater depths

Alarm KIT

The kit consists of a float switch, self powered alarm, control box

DIRTY WASTE WATER



MODEL	POWER		TANK CAPACITY litres	MAXIMUM FLOW RATE l/min	MAXIMUM HEAD metres
	kW	HP			
SAR 250 - TOP VORTEX	0.37	0.50	250	180	6.5
SAR 250 - RXm3/20	0.55	0.75	250	180	8
SAR 250 - RXm4/40	0.75	1	250	280	9.5
SAR 250 - RXm5/40	1.1	1.5	250	380	12.5
SAR 250 - ZXm1A/40	0.60	0.85	250	400	10.5
SAR 250 - VXm10/35	0.75	1	250	300	9.5
SAR 250 - VXm15/35	1.1	1.5	250	450	14
SAR 250 - VXm10/50	0.75	1	250	400	7
SAR 250 - VXm15/50	1.1	1.5	250	500	10.5
SAR 250 - MCm10/50	0.75	1	250	500	10.7
SAR 250 - MCm12/50	1.1	1.5	250	800	14
SAR 250 - VXm10/35-I	0.75	1	250	300	9.5
SAR 250 - VXm10/50-I	0.75	1	250	400	7
SAR 250 - MCm10/50-I	0.75	1	250	500	10.7

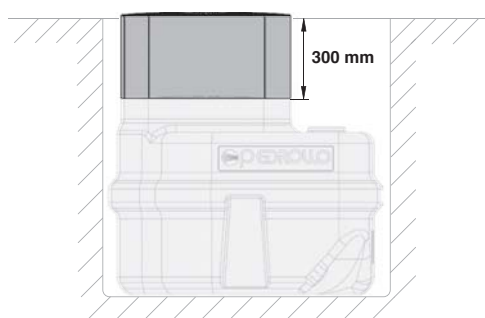
COMPONENTS

- 250-litre polyethylene tank with cover plate
- Pump with float switch
- Power cable: **5 m** (standard issue with Schuko plug)
10 m (RXm4-5/40 with Schuko plug)
- Lowering device (only for VX-I and MC-I versions)

OPTIONALS AVAILABLE ON REQUEST

- Pump with **10 m** long power cable.
 - ➡ Standard EN 60335-2-41 states that the power cable must be 10 m long for outdoor applications

Extension kit



OPTIONALS AVAILABLE ON REQUEST

"TYPE A" 300 mm extension KIT

The kit consists of an extension for the installation of the tank at greater depths

"TYPE B" 300 mm extension KIT for VX-I and MC-I series pumps

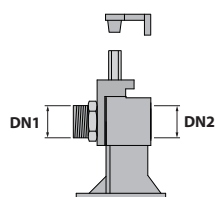
The kit consists of an extension for the installation of the tank at greater depths and (longer) guide tubes for lowering the pump

Alarm KIT

The kit consists of a float switch, self powered alarm, control box

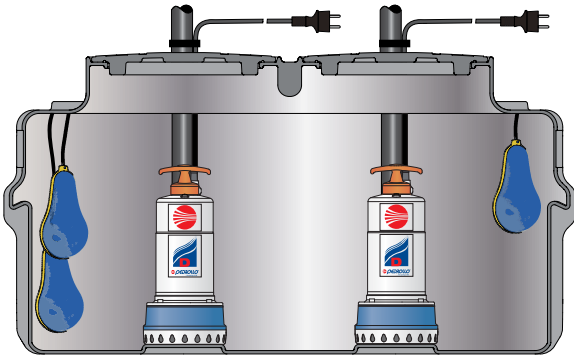
Base pedestal elbow (duct foot)

MODEL	PUMP	PORTS	
		DN1	DN2
PA/1	VX /35-I	1½"	2"
PA/2	VX /50-I and MC/50-I	2"	



CLEAR WASTE WATER - RAINWATER

MODEL	POWER		TANK CAPACITY litres	MAXIMUM FLOW RATE (1 pump) l/min	MAXIMUM HEAD metres
	kW	HP			
SAR 550 - NKm 2/1	0.45	0.6	550	80	35
SAR 550 - TOP MULTI 2	0.55	0.75	550	80	40
SAR 550 - TOP MULTI 3	0.55	0.75	550	120	32
SAR 550 - TOP3	0.55	0.75	550	260	10
SAR 550 - TOP4	0.75	1	550	320	12
SAR 550 - TOP5	0.92	1.25	550	400	14
SAR 550 - RXm2	0.37	0.50	550	220	9.5
SAR 550 - RXm3	0.55	0.75	550	220	11.5
SAR 550 - RXm4	0.75	1	550	260	15
SAR 550 - RXm5	1.1	1.5	550	300	19.5
SAR 550 - ZDm 1A-E	0.50	0.70	550	250	10.5
SAR 550 - ZDm 1AR-E	0.60	0.85	550	300	13.5
SAR 550 - Dm10	0.75	1	550	325	14.5
SAR 550 - Dm15	1.1	1.5	550	400	22
SAR 550 - Dm20	0.75	1	550	200	20
SAR 550 - Dm30	1.1	1.5	550	300	26



COMPONENTS

- 550-litre polyethylene tank with two cover plates
- **Two single-phase pumps**
- Control panel
- Three float switches for:
 - 1) the alternate start-up of one of the two pumps
 - 2) maximum level for starting-up the second pump
 - 3) minimum level for switching the pumps off

OPTIONALS AVAILABLE ON REQUEST

- Pump with **10 m** long power cable.
 - ⇒ Standard EN 60335-2-41 states that the power cable must be 10 m long for outdoor applications

OPTIONALS AVAILABLE ON REQUEST

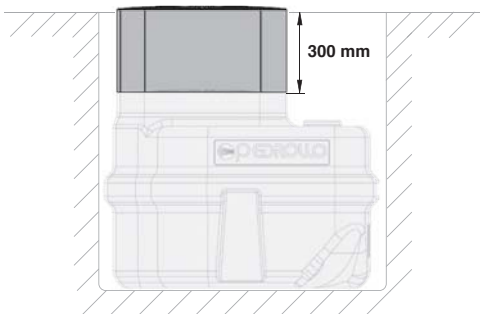
"TYPE A" 300 mm extension KIT

The kit consists of an extension for the installation of the tank at greater depths

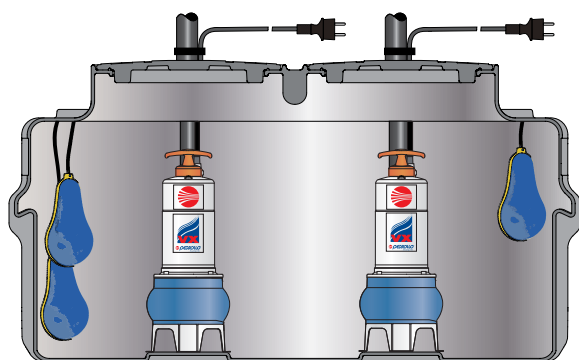
Alarm KIT

The kit consists of a float switch, self powered alarm, control box

Extension kit



DIRTY WASTE WATER



MODEL	POWER		TANK CAPACITY litres	MAXIMUM FLOW RATE (1 pump) l/min	MAXIMUM HEAD metres
	kW	HP			
SAR 550 - RXm 3/20	0.55	0.75	550	180	8
SAR 550 - RXm 4/40	0.75	1	550	280	9.5
SAR 550 - RXm 5/40	1.1	1.5	550	380	12.5
SAR 550 - ZXm 1A/40	0.60	0.85	550	400	10.5
SAR 550 - VXm 10/35	0.75	1	550	300	9.5
SAR 550 - VXm 15/35	1.1	1.5	550	450	14
SAR 550 - VXm 10/50	0.75	1	550	400	7
SAR 550 - VXm 15/50	1.1	1.5	550	500	10.5
SAR 550 - MCm 10/50	0.75	1	550	500	10.7
SAR 550 - MCm 12/50	1.1	1.5	550	800	14
SAR 550 - VXm 10/35-I	0.75	1	550	300	9.5
SAR 550 - VXm 10/50-I	0.75	1	550	400	7
SAR 550 - MCm 10/50-I	0.75	1	550	500	10.7

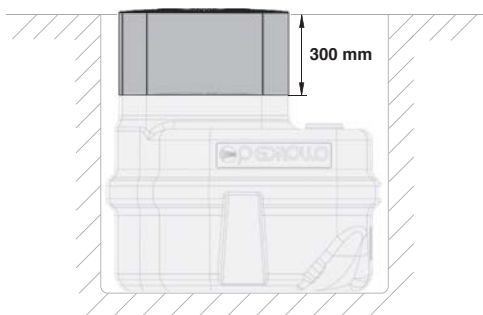
COMPONENTS

- 550-litre polyethylene tank with cover plate
- Two single-phase pumps
- Two single-phase pumps
- Control panel
- Three float switches for:
 - 1) the alternate start-up of one of the two pumps
 - 2) maximum level for starting-up the second pump
 - 3) minimum level for switching the pumps off
- Lowering device (only for VX-I and MC-I versions)

OPTIONALS AVAILABLE ON REQUEST

- Pump with 10 m long power cable.
 - ➡ Standard EN 60335-2-41 states that the power cable must be 10 m long for outdoor applications

Extension kit



OPTIONALS AVAILABLE ON REQUEST

"TYPE A" 300 mm extension KIT

The kit consists of an extension for the installation of the tank at greater depths

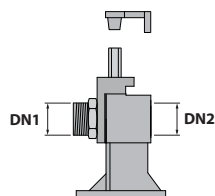
"TYPE B" 300 mm extension KIT for VX-I and MC-I series pumps

The kit consists of an extension for the installation of the tank at greater depths and (longer) guide tubes for lowering the pump

Alarm KIT

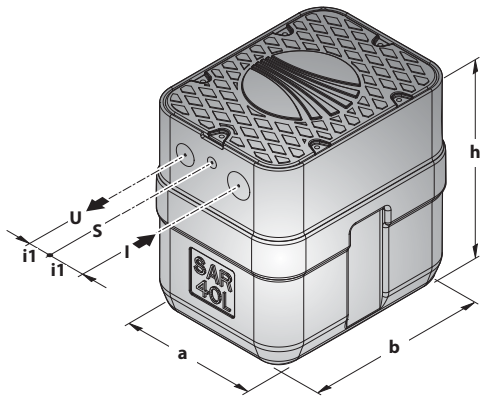
The kit consists of a float switch, self powered alarm, control box

Base pedestal elbow (duct foot)

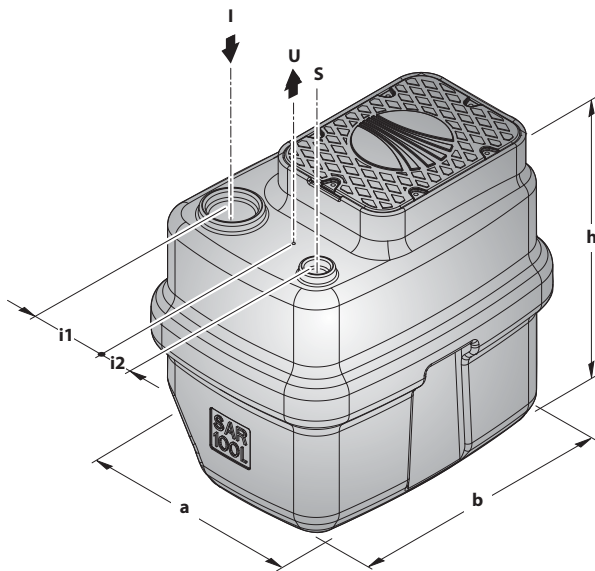


MODEL	POMP	PORTS	
		DN1	DN2
PA/1	VX /35-I	1½"	2"
PA/2	VX /50-I and MC/50-I	2"	

DIMENSIONS AND WEIGHT

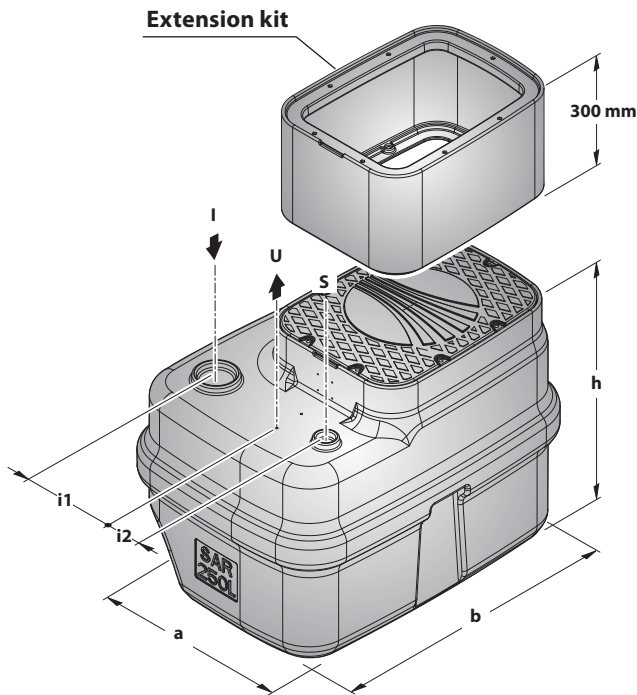


MODEL	PORTS			DIMENSIONS mm				kg
	I	U	S	a	b	h	i1	
SAR 40 - TOP1	1½"	1¼"	½"	310	410	410	60	14.0
SAR 40 - TOP2								14.7
SAR 40 - RXm1								14.2
SAR 40 - RXm2								15.3
SAR 40 - RXm3								15.6
SAR 40 - TOP-VORTEX								14.6
SAR 40 - RXm 2/20								15.6

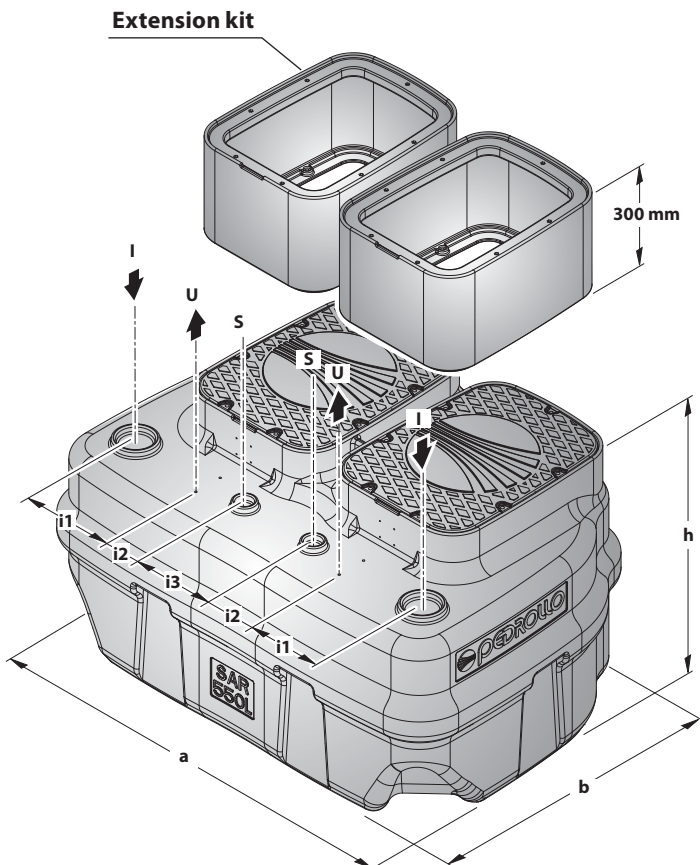


MODEL	PORTS			DIMENSIONS mm						kg
	I	U	S	a	b	h	i1	i2		
SAR 100 - TOP1	Ø 100 mm	1¼"	Ø 50 mm	500	690	645	145	100	28.0	
SAR 100 - TOP2									28.7	
SAR 100 - TOP3									30.1	
SAR 100 - TOP4									33.6	
SAR 100 - TOP MULTI									32.9	
SAR 100 - RXm1									28.2	
SAR 100 - RXm2									29.3	
SAR 100 - RXm3									29.6	
SAR 100 - ZDm 1A-E									35.0	
SAR 100 - ZDm 1AR-E									35.3	
SAR 100 - Dm8									35.2	
SAR 100 - Dm10									36.2	
SAR 100 - Dm15									38.2	
SAR 100 - Dm18									35.3	
SAR 100 - Dm20									36.5	
SAR 100 - Dm30									38.5	
SAR 100 - TOP-VORTEX									28.6	
SAR 100 - RXm 2/20									29.6	
SAR 100 - RXm 3/20									29.8	
SAR 100 - ZXm 1A/40	35.2									

DIMENSIONS AND WEIGHT



MODEL	PORTS			DIMENSIONS mm						kg
	I	U	S	a	b	h	i1	i2		
SAR 250 - NKm 2/1-GE										49.9
SAR 250 - TOP MULTI		1¼"								45.4
SAR 250 - TOP3		1½"								42.6
SAR 250 - TOP4		1½"								46.1
SAR 250 - TOP5		1½"								47.1
SAR 250 - RXm2		1¼"								41.8
SAR 250 - RXm3		1¼"								42.1
SAR 250 - RXm4		1¼"								48.7
SAR 250 - RXm5		1¼"								49.7
SAR 250 - ZDm 1A-E		1½"								47.5
SAR 250 - ZDm 1AR-E		1½"								47.8
SAR 250 - Dm10		1½"								48.7
SAR 250 - Dm15		1½"								50.7
SAR 250 - Dm20	∅	1½"								49.0
SAR 250 - Dm30	100 mm	1½"								51.0
SAR 250 - TOP-VORTEX		1¼"								41.1
SAR 250 - RXm 3/20		1¼"								42.3
SAR 250 - RXm 4/40		1¼"								49.0
SAR 250 - RXm 5/40		1¼"								50.0
SAR 250 - ZXm 1A/40		1½"								47.7
SAR 250 - VXm 10/35		1½"								49.3
SAR 250 - VXm 15/35		1½"								52.3
SAR 250 - VXm 10/50		1½"								49.9
SAR 250 - VXm 15/50		2"								53.0
SAR 250 - MCm 10/50		2"								50.1
SAR 250 - MCm 12/50		2"								53.0
SAR 250 - VXm 10/35-I		1½"								55.8
SAR 250 - VXm 10/50-I		2"								55.6
SAR 250 - MCm 10/50-I		2"								55.9



MODEL	PORTS			DIMENSIONS mm						kg	
	I	U	S	a	b	h	i1	i2	i3		
SAR 550 - NKm 2/1											100.8
SAR 550 - TOP MULTI		1¼"									91.8
SAR 550 - TOP3		1½"									86.2
SAR 550 - TOP4		1½"									93.2
SAR 550 - TOP5		1½"									95.2
SAR 550 - RXm2		1¼"									84.6
SAR 550 - RXm3		1¼"									85.2
SAR 550 - RXm4		1¼"									98.4
SAR 550 - RXm5		1¼"									100.4
SAR 550 - ZDm 1A-E		1½"									96.0
SAR 550 - ZDm 1AR-E		1½"									96.6
SAR 550 - Dm10		1½"									98.4
SAR 550 - Dm15		1½"									102.4
SAR 550 - Dm20	∅	1½"									99.0
SAR 550 - Dm30	100 mm	1½"									103.0
SAR 550 - RXm 3/20		1¼"									85.6
SAR 550 - RXm 4/40		1¼"									99.0
SAR 550 - RXm 5/40		1¼"									101.0
SAR 550 - ZXm 1A/40		1½"									96.4
SAR 550 - VXm 10/35		1½"									99.6
SAR 550 - VXm 15/35		1½"									105.6
SAR 550 - VXm 10/50		1½"									100.8
SAR 550 - VXm 15/50		2"									107.0
SAR 550 - MCm 10/50		2"									101.2
SAR 550 - MCm 12/50		2"									107.0
SAR 550 - VXm 10/35-I		1½"									109.6
SAR 550 - VXm 10/50-I		2"									109.2
SAR 550 - MCm 10/50-I		2"									109.8